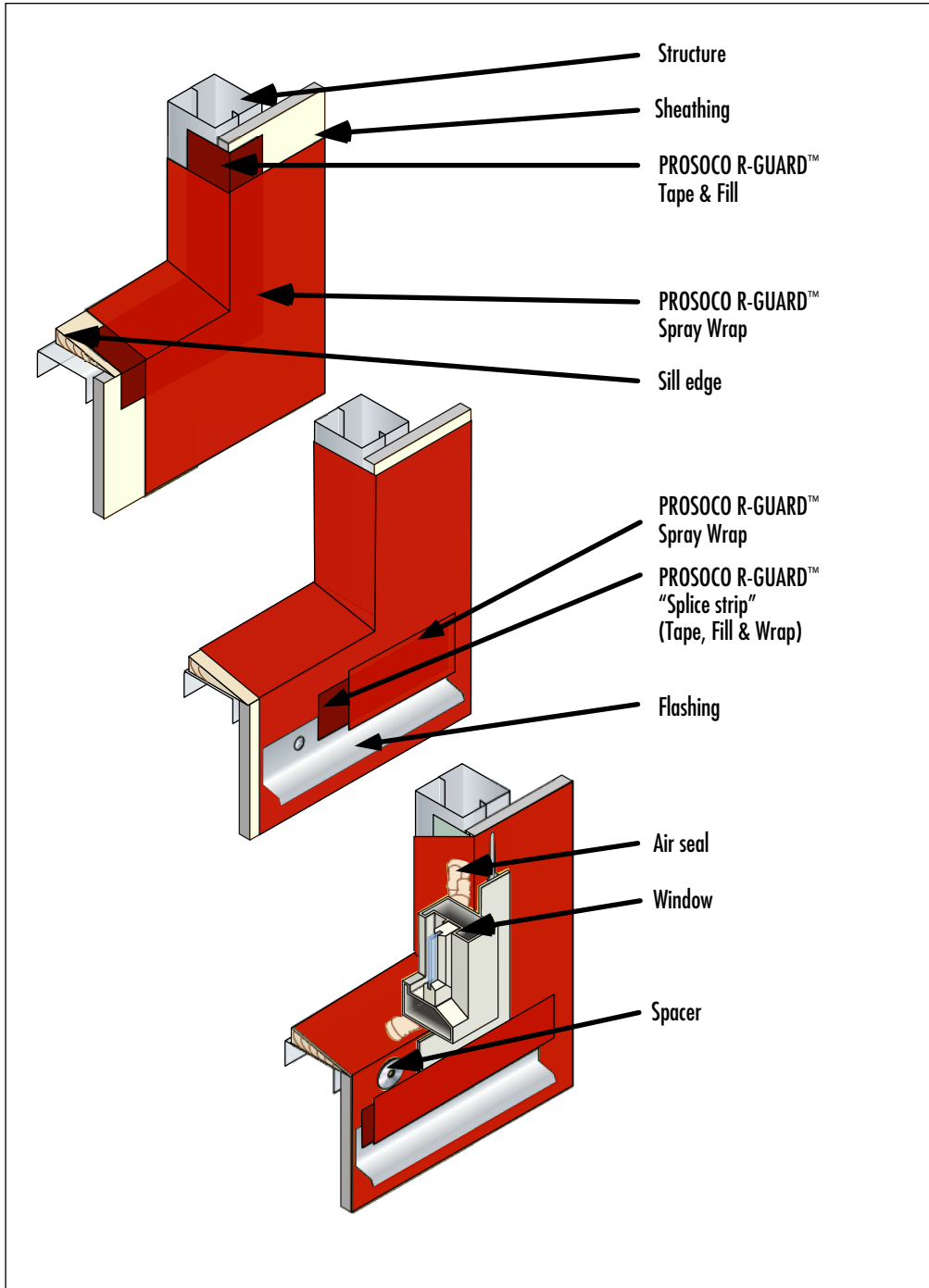


**PROSOCO R-GUARD™ Air & Moisture Barrier  
Sill Flashing: Nail-fin Window**

**Detail No.: 20.23d**



**Notes:**

- 1] Prepare rough opening as shown in PROSOCO Detail 20.24.
- 2] Install flashing below the rough opening.
- 3] Shingle lap a "splice strip" of PROSOCO R-GUARD™ Tape, Fill and Spray Wrap over the flashing as shown in PROSOCO Detail 20.09.
- 4] Install the nail-fin windows with an air seal around the interior perimeter of the window and with spacers at the sill to create a gap for water to drain between the sill flange and the PROSOCO R-GUARD™ Spray Wrap.

PROSOCO details are illustrations of construction. They are guidelines, intended for use by the design/construction professional, to assist in developing project specific details. They should be modified where necessary to accommodate individual project conditions. Refer to appropriate PROSOCO specification for design requirements. Refer to local building code for any special requirements.